

# ATLAS FLEX-BLOCK™ SALT TABLE

\$14,445

#11396-XX

The **Atlas Flex-Block™ Salt Table** provides an easy-to-use and ultra-comfortable system to deliver the healing properties of salt. This next-generation salt table is like no other. Our exclusive Himalayan Salt Flex-Block™ bed allows spa guests to lie directly on a solid surface of salt. Unlike granular salt beds, the Atlas Salt Table is easily sanitized with an eco-cleaner before each treatment. Your clients will benefit from the healing power of Himalayan Salt, known to improve respiratory function, soften skin and provide stress relief. The Atlas Salt Table can be used for massage and body treatments, or on its own for relaxation and rejuvenation.



BASE COLORS:

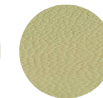


BAMBOO

VINYL COLORS:



WHITE



ALMOND



CAMEL



BLACK



Convenient cleaning drawer allows you to sanitize the table between treatments.



Professional-grade 220-watt heater rests under the salt, providing warmth and releasing the salt's healing negative ions.



Warming drawer keeps towels and heat-transferring products warm and ready.

**TOP:**

Top design	Bamboo structure w/ woven, flexible mat supporting salt blocks
Drip tray	2 stainless steel drawers opening from top ends
Salt	100% Himalayan salt blocks
Standard size top	32" x 82"
FaceSpace	Mounting holes on one end for face cradle
Articulating top	Pedestal motors operate separately to elevate and tilt top

**BASE & FRAME:**

Bamboo cabinet	Two-drawer cabinet: one side stainless steel warming drawer w/ adjustable temperature, and one side standard storage drawer
Base	Bamboo base cover w/ sleek, contemporary design over white powder-coated steel base; dual-pedestal lift
Leg recess	11" recess from ends, 3" from sides
Height range	24" to 34.5" (infinite motorized adjustment)
Lifting weight	Lifting weight capacity 500 lbs.
Static weight	1000 lbs.

**MESSAGE TOP:**

Foam	2" medium-density layer of urethane polymer
Frame	Plywood frame
Massage top size	33.5" x 83.5"
UltraSoft-Touch upholstery	Lightly textured, super-soft vinyl, fabric backed

**MOTORS & CONTROLS:**

Main lift mechanism	Two 24 vDC, 5 amp max motor/actuator, UL Recognized
Control box	24 vDC, 8.50 amp max, UL Recognized
Controls	4-button hand control to raise, lower and tilt table height

**GUARANTEES:**

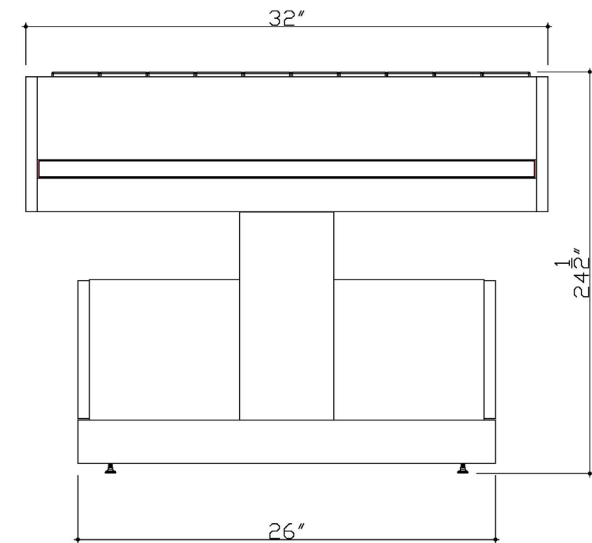
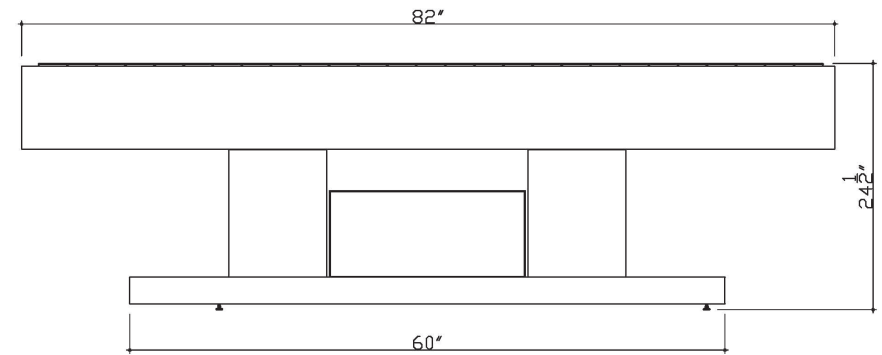
Structure	10 yrs. on replacement parts for frame/structure and 1 yr. on labor**
Motor & controls	2 yrs. on materials
Vinyl & foam	2 yrs. on materials
	**Labor warranty for customers in USA only

**WEIGHTS:**

Table weight	430 lbs. salt included
Shipping weight - boxed	730 lbs. salt included
Shipping dimensions	92" x 42" x 40"

**REPLACEMENT BLOCKS:**

Salt Table uses 280 blocks. Replacement kit includes 280.



MOTORS & CONTROLS